



3204 Rocky River Road, Heath Springs, SC 29058
Phone: 803-286-8614 Fax: 803-286-6063

Edge Guider

Model EG1000-000

The EG1000-000 Regenerative control is designed to handle 90 VDC armature P.M. motors up to ½ HP and 180 VDC P.M. motors up to 1 HP, that are used to operate a linear actuator in a web edge guiding application.

Standard Features

- Operates from a 115/230 VAC power source
- Source for edge sensor: 15VDC
- Edge position input options: 0 – 5 VDC, 4 - 20mA, ± 10 VDC
- End of travel inputs
- Auto/Manual mode
- Edge guide jog inputs (right or left)
- Output: 1/2HP @ 90VDC, 1HP @ 180VDC
- 20 turn potentiometer for critical calibration adjustments

Specifications

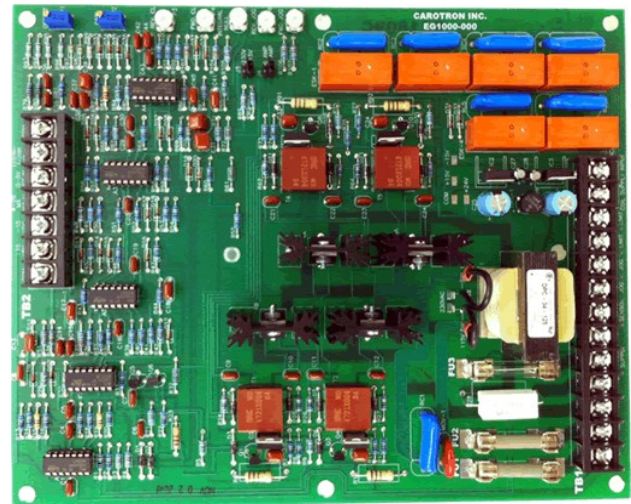
Electrical

Note: The Motor Control section has a separate input from the control relay voltage supply.

Signal Inputs:

Note: The Sensor signal inputs are not electrically isolated.

1. 4-20 mA.
2. 0-5 VDC
3. ± 10 VDC



A.C. Input

1. 115 VAC $\pm 10\%$, 50/60 Hz ± 2 Hz at TB1- 12 & 13, 3 Amperes Max
2. 115 or 230 VAC $\pm 10\%$, 50/60 Hz ± 2 Hz at TB1-1 & 2, 6 Amperes Max

Armature Output

- 0-90 VDC for 115 VAC input at TB1-1&2
- 0-180 VDC for 230 VAC input at TB1-1&2

Adjustments

Offset, Gain, Fwd Jog, Rev Jog, Integral Null, Fwd, C.L., Rev C.L.

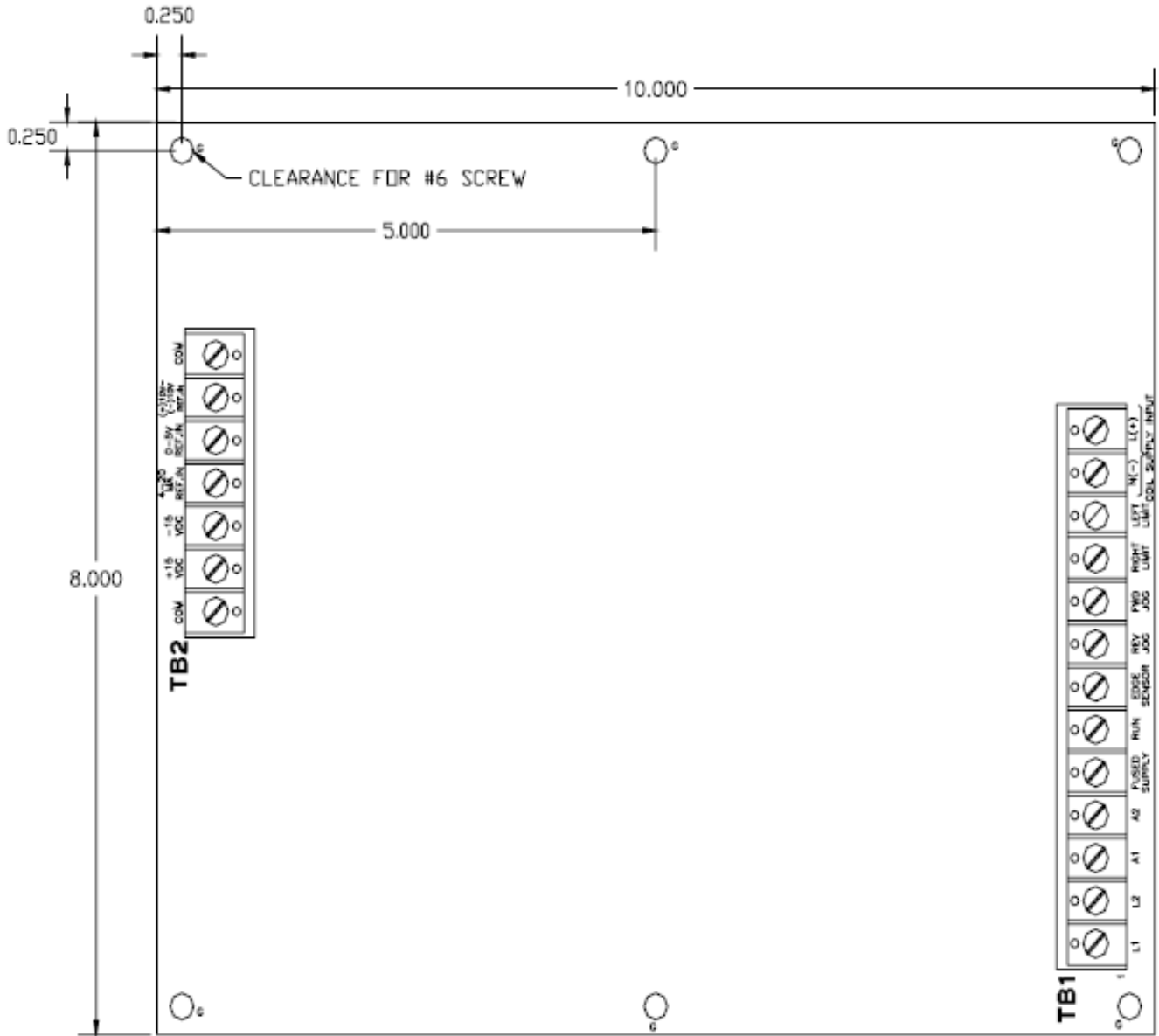
Horsepower Range

- ¼ - ½ HP @ 90 VDC
- ½ - 1 HP @ 180 VDC

Temperature Range

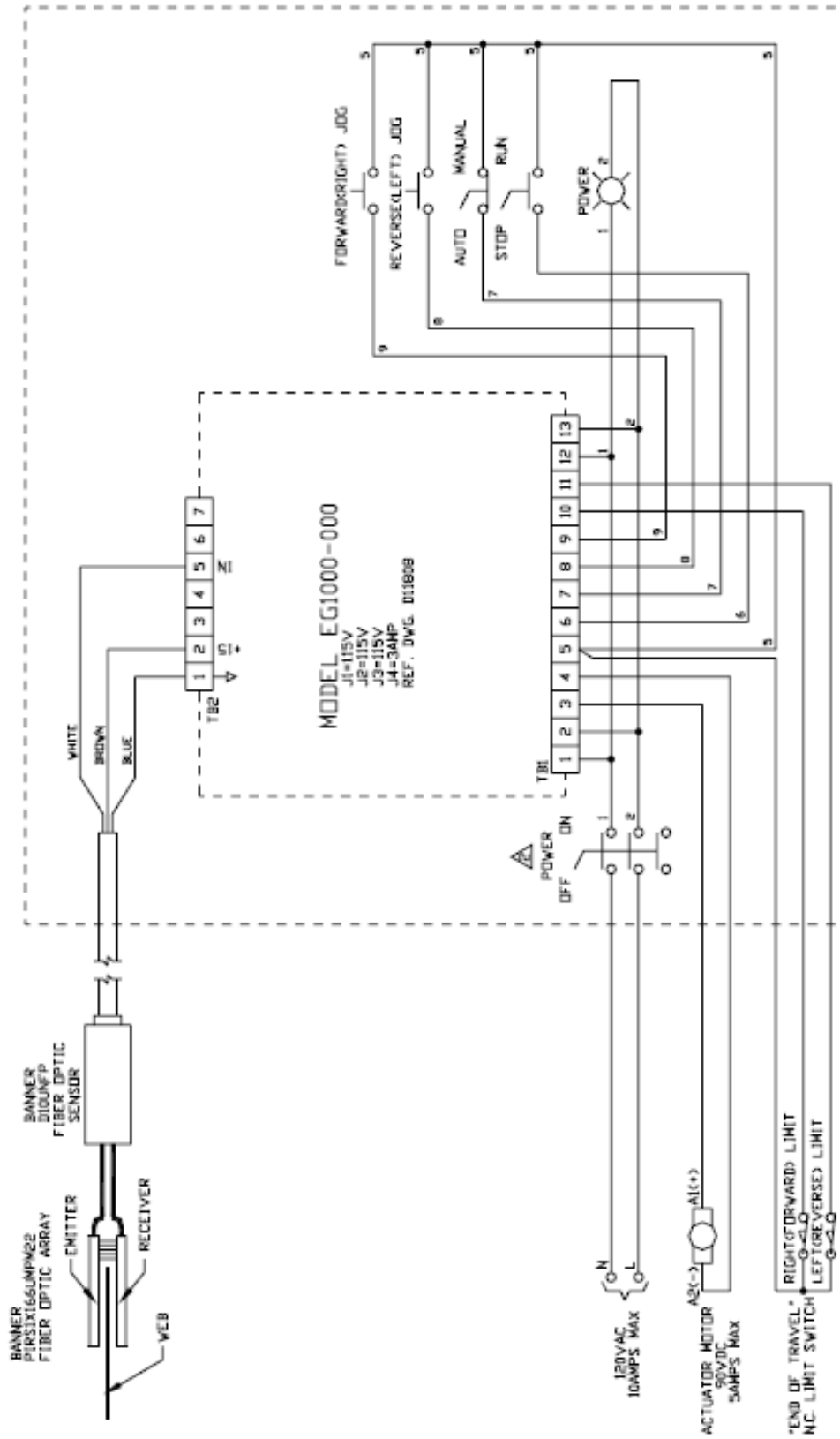
0-55°C in EG1000-000 enclosure.

Dimensions



EG1000-000

Connections



Edge Guider
Model EG1000-000

View or download the complete EG1000-000 Instruction Manual (MAN 2000-00) from www.carotron.com .



3204 Rocky River Road Heath Springs, SC 29058
Phone: (803) 286-8614 Fax: (803) 286-6063
Email: saleserv@carotron.com Web: www.carotron.com
FLY1047-0A Issued 06-04-2012